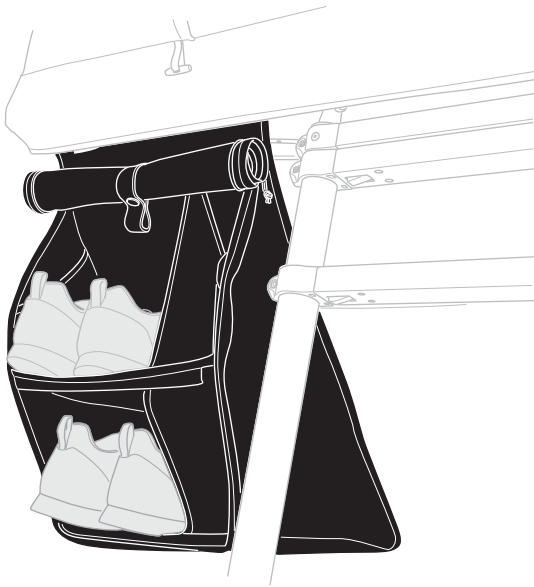
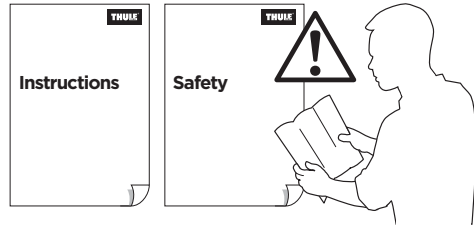


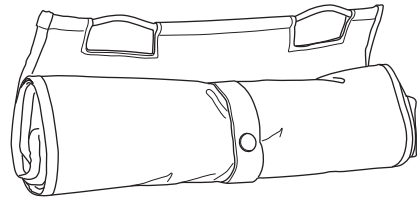
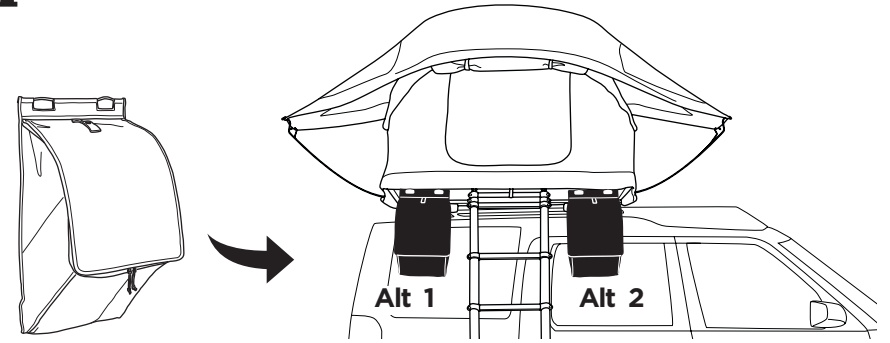
➤ Instructions

Thule Rooftop Tent Organizer 901850

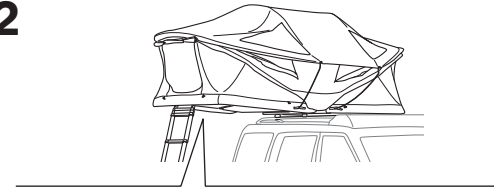




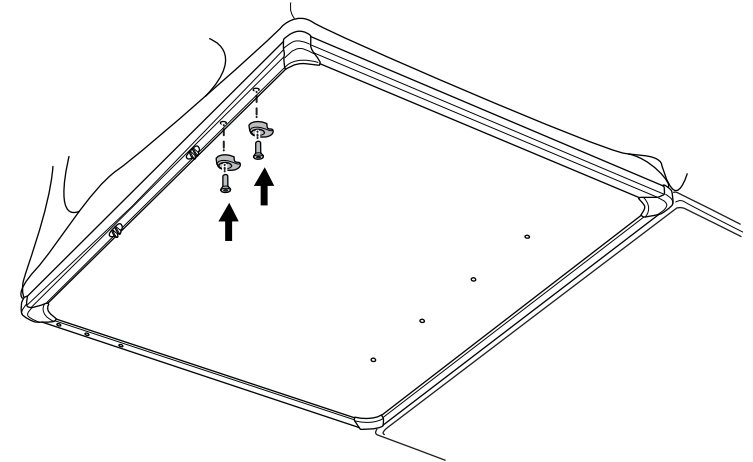
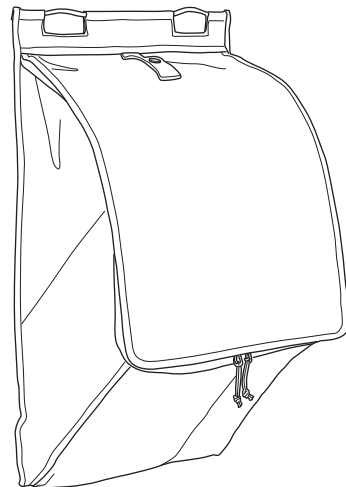
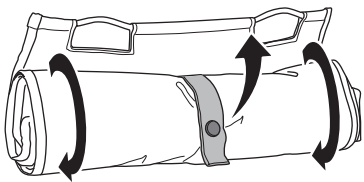
i



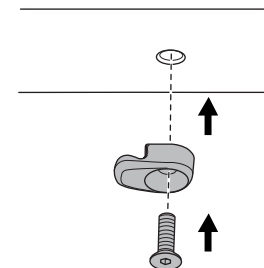
2



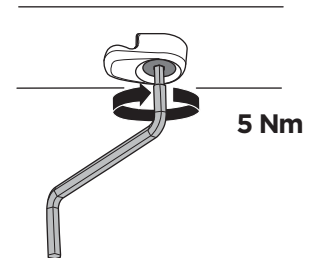
1



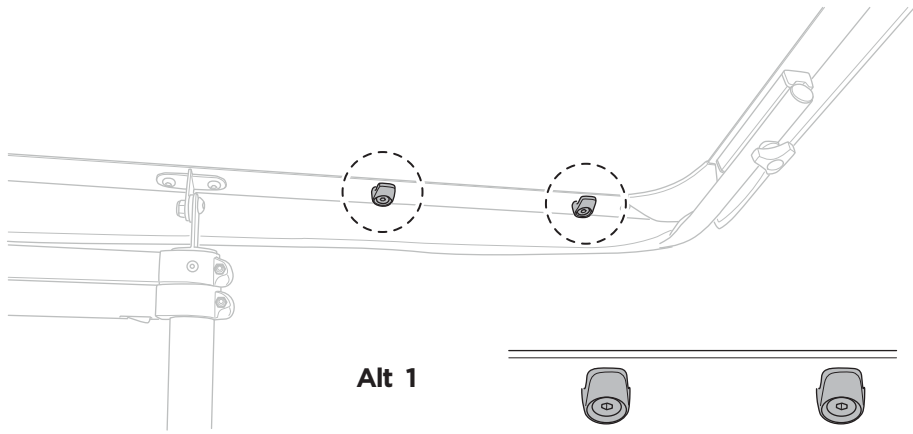
A



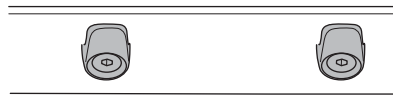
B



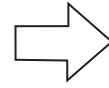
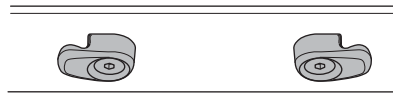
i



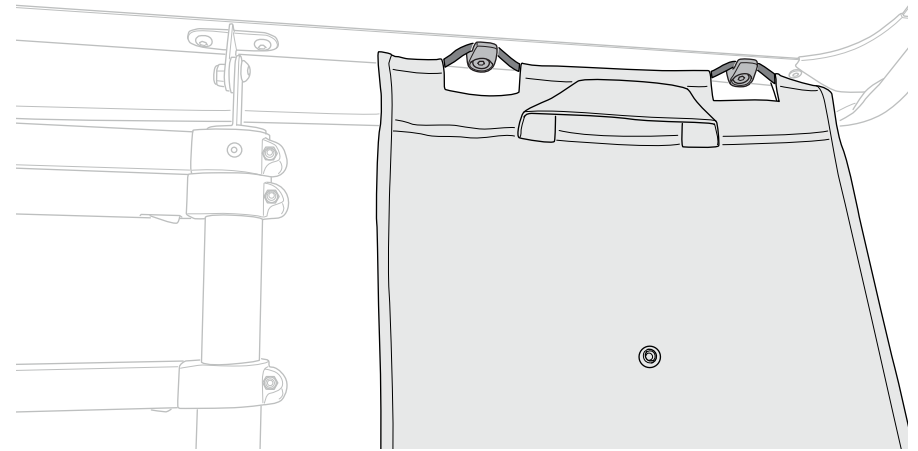
Alt 1



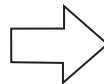
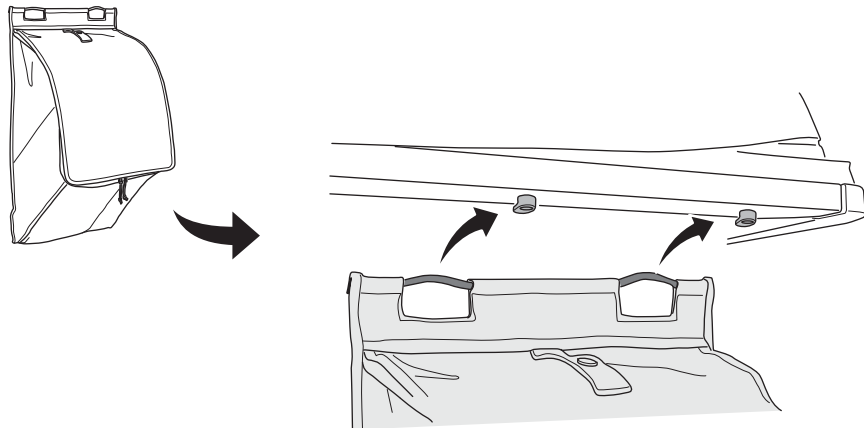
Alt 2



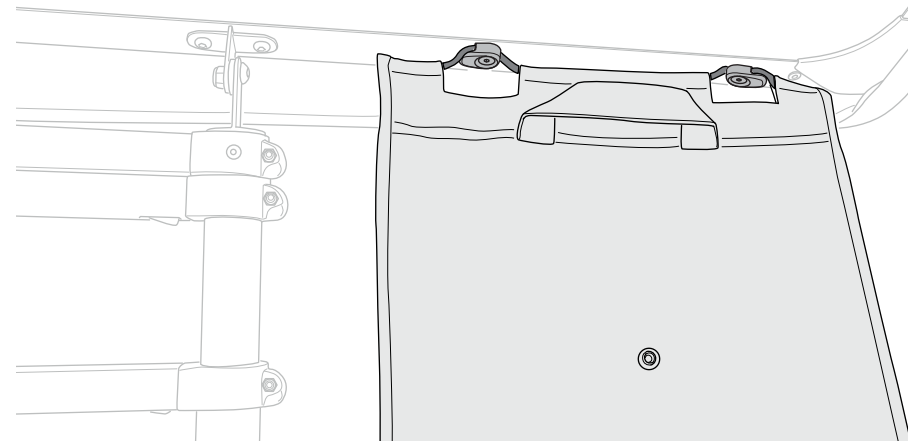
Alt 1



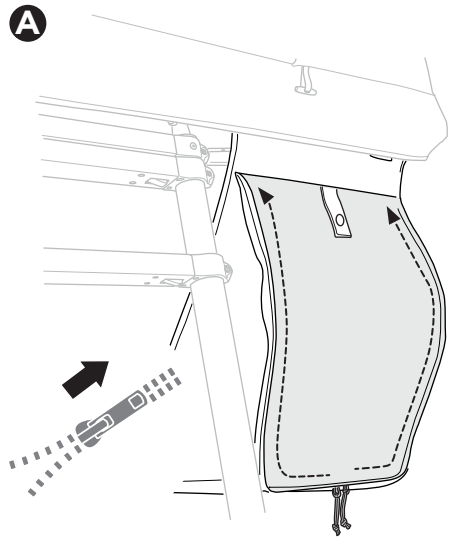
3



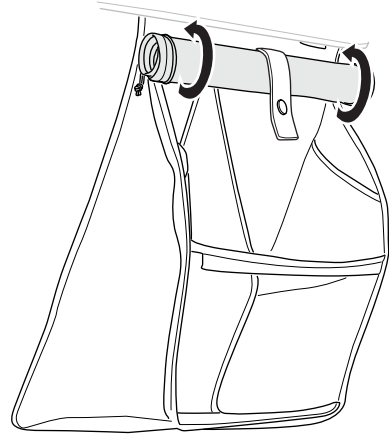
Alt 2



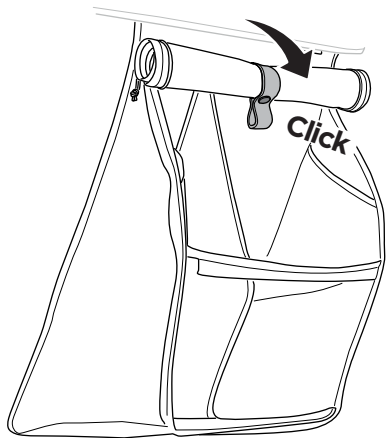
4



B



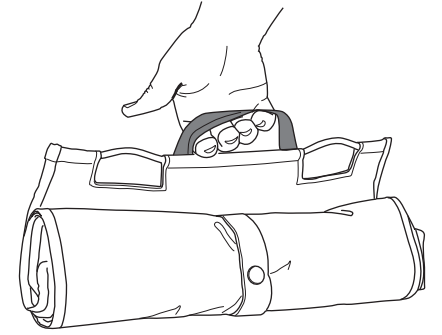
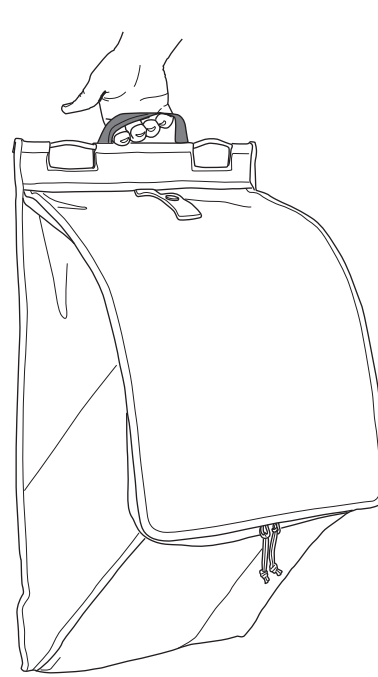
C



D



i





Thule Sweden AB, Borggatan 5
335 73 Hillerstorp, SWEDEN

› PART OF THULE GROUP



info@thule.com

© Thule Group 2022 All rights reserved.



www.thule.com

5562546001